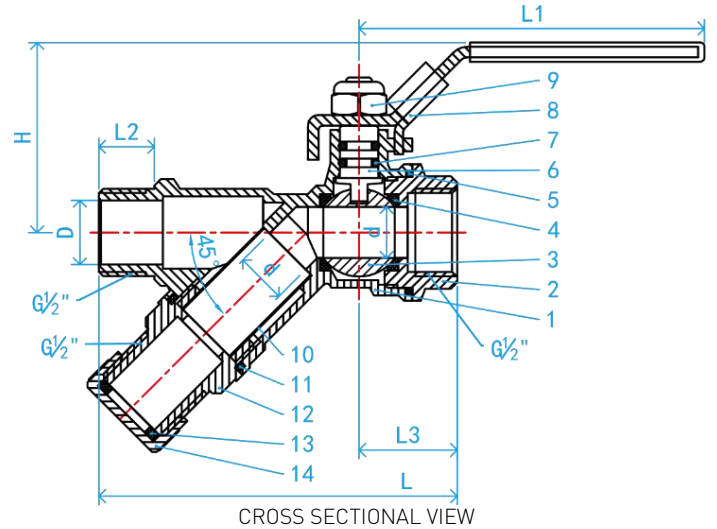
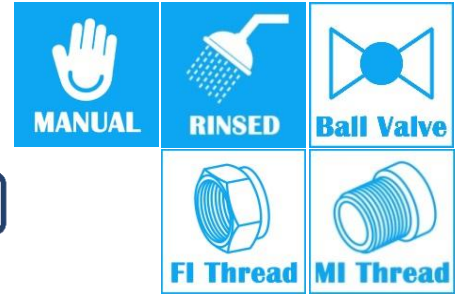
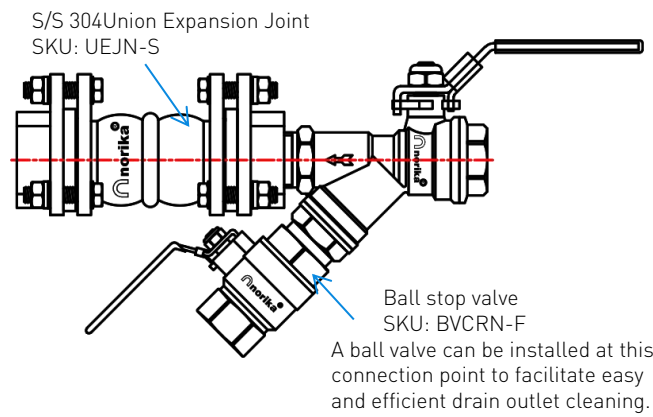


# LOCKABLE BLUE HANDLE STAINLESS STEEL 304 Y PATTERN STRAINER BALL STOP VALVE

COMPLY WITH BS EN13828:2003



COMPONENT PARTS		
ITEM	PARTS	MATERIAL
1	Body	CF8 (AISI304)
2	Bonnet	CF8 (AISI304)
3	Ball	AISI304
4	Seat	PTFE
5	Gasket	PTFE
6	Steam	AISI304
7	O-ring	EPDM
8	Handle	PVC Coated AISI304
9	Lock Nut	AISI304
10	Filter	AISI304
11	Gasket	PTFE
12	Bonnet	CF8 (AISI304)
13	Sealing Gasket	EPDM
14	End Cap	AISI304



STANDARD SPECIFICATIONS	
Max Pressure	20 Bar
Working Medium	Water
Working Temperature	-20°C ≤ t ≤ 110 °C

DIMENSIONS										
SKU	D (mm)	d (mm)	L (mm)	H (mm)	L1 (mm)	L2 (mm)	L3 (mm)	Filter Mesh No's	WEIGHT (kg)	PCS/CTN
YSBVSS015MF	15	12	56.5	44	81	13	25.5	30	0.310	72
YSBVSS020MF	20	15	99.0	55	104	14	28.5	30	0.415	54
YSBVSS025MF	25	20	119.5	54	104	16	33.5	30	0.570	40
YSBVSS035MF	34	25	139.5	60	146	17	39.5	30	1.010	20
YSBVSS042MF	40	32	157.5	65	146	17	43.0	30	1.345	18
YSBVSS050MF	51	40	195.5	82	172	24	52.5	30	2.040	12
YSBVSS065MF	65	50	227.0	94	212	26	61.5	30	2.990	8